

# CP series semi-open single vane impeller pump



## APPLICATION

CP series submersible sewage pump are designed for economical and reliable pumping of sewage water from commercial, communal and industrial sources.

They are suitable for clear and waste water containing solid and fibrous material.

Used in conjunction with the automatic coupling system the below ground level wet installation is a particularly economical solution which also does not damage the environment

The pump are also suitable for quick portable applications

## MODEL DESCRIPTION

CP(S) XX - XX H/M/S (A)

| | | | |\_\_With float switch auto-type

| | | |\_\_\_\_Impeller size

| | |\_\_\_\_Motor pole

| |\_\_\_\_Motor power X 100

|\_\_\_\_Semi-open single vane impeller with  
cutter(S-single phase)

## TECHNICAL DESCRIPTION

Motor: the unique insulation design ensures the motor can still run

normally if little water is in the chamber of motor. The optimal design of motor guarantees that the pump is able to start running when the hydraulic parts is submerged by some mud and sands.

Motor submerged: continuous operation S1

Medium temperature: Up to 40°C

Hydraulic parts: processed with advanced CFD flow field diagnose technology, it has many merits like high efficiency, no block and anti-corrosion etc. the impeller is adopted semi-open single or double vane with cutter design, they have large flow channel to ensure that large solid can be passed.

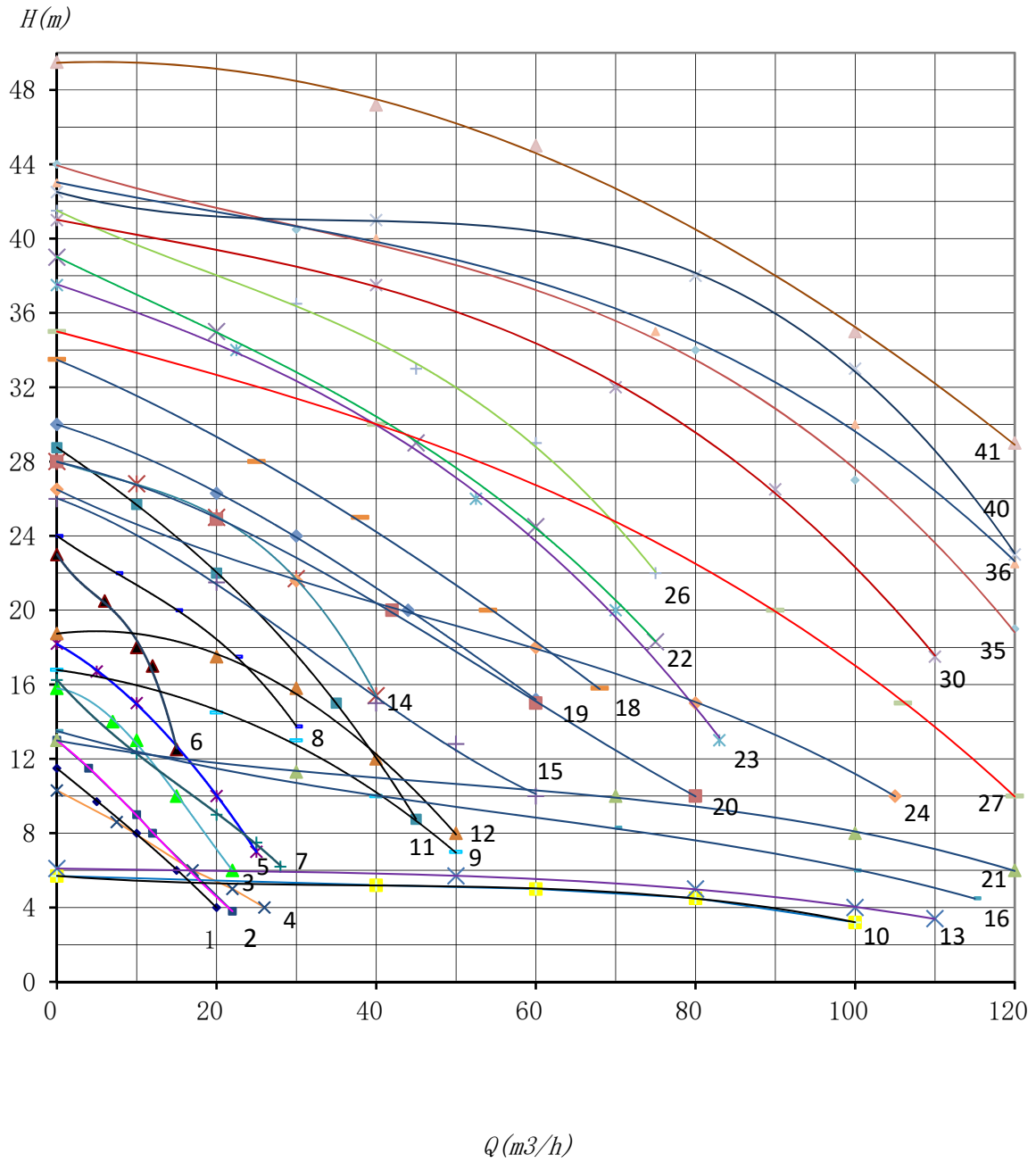
Sealing design: we take many improvement measures for pump sealing, adopt two double mechanical seal design, which enable the product to be safer and more reliable

Protection measures: leakage protection in oil chamber, motor overload protection

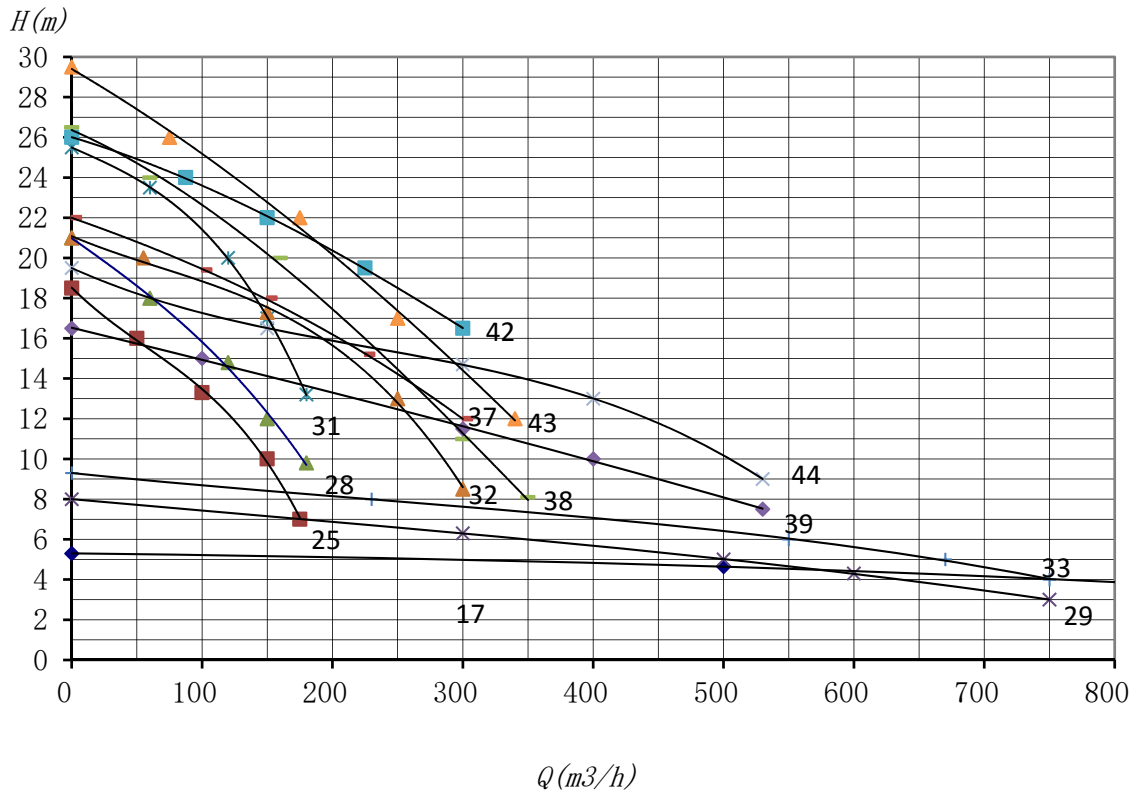
Material: pump casing, volute, impeller is GG20, mechanical seal is SiC/SiW, cable is rubber

## PERFORMANCE CURVE

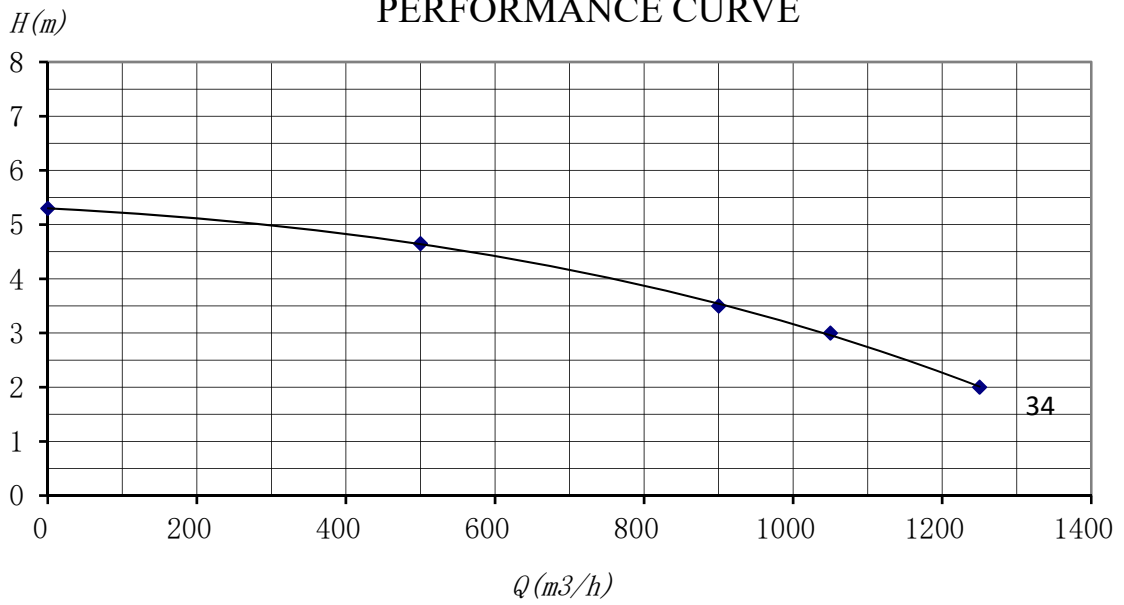
# PERFORMANCE CURVE



### PERFORMANCE CURVE



### PERFORMANCE CURVE



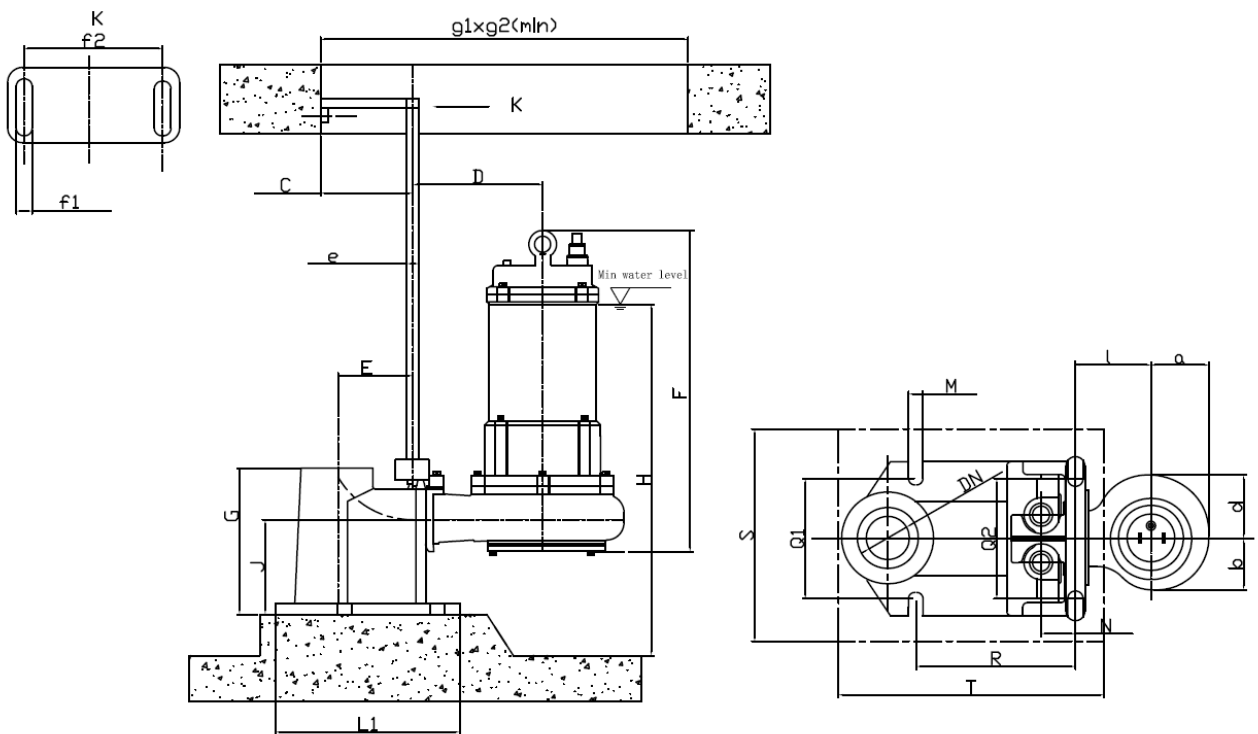
## TECHNICAL DATA

Item . No.	Model	Capacity (m3/h)	Head (m)	Power (Kw)	Discharge (mm)	Phase	Weight (kg )	Max solids Passed (mm)
1	CP(S)75-2H(A)	10	8	0.75-2P	50	1/3	33	25
2	CPS100-2H(A)	10	9	1-2P		1		
3	CP100-2H(A)	10	13			3		
4	CP(S)100 -2M (A)	17	6	1-2P	80	3	33	40
5	CPS150-2H(A)	10	15	1.5-2P	50	1	35	25
6	CP150-2H(A)	10	18			3	35	
7	CP(S)150 -2M (A)	20	9		2.2-2P	80	1/3	35
8	CP220-2H(A)	15	20	45				
9	CP220 -2M (A)	40	10			78		
10	CP220-4M (A)	60	5	100	78	50		
11	CP300-2H(A)	20	22	3-2P	80	45	40	
12	CP300 -2M (A)	40	12		100	80	50	
13	CP300 -4M (A)	80	5			85	40	
14	CP400-2H(A)	20	25	4-2P	80	120	50	
15	CP400 -2M (A)	40	15	4-4P	100	130	70	
16	CP400 -4M (A)	100	6			80	40	
17	CP400 -6M	250	2.5				100	50
18	CP550-2H	25	28	5.5-2P	80	120	40	
19	CP550 -2M	30	24		100		50	
20	CP550-2S	65	15		5.5-4P		150	130
21	CP550-4S	100	8	7.5-2P		80	130	40
22	CP750-2H	45	29			100		50
23	CP750 -2M	70	20		140			70
24	CP750-2S	80	15	7.5-4P	150	140	70	
25	CP750-4S	150	10	11-2P	80	200	40	
26	CP1100-2H	45	33		100	220	50	
27	CP1100 -2M	90	20			280	70	
28	CP1100 -4M	150	12	11-4P	150	320	100	
29	CP1100-4S	400	5		200	320	100	
30	CP1500-2H	70	32	15-2P	80	200	40	
31	CP1500 -2M	150	17		100	220	50	
32	CP1500 -4M	250	13			150	280	70
33	CP1500-4S	550	6	15-4P	200	320	100	
34	CP1500-8M	900	3.5	15-8P	300	500	125	
35	CP1850-4H-100	80	34	18.5-4P	100	450	50	
36	CP1850-4M-100	100	30					150
37	CP1850-4H-150	150	18		70			
38	CP1850-4M-150	300	11					

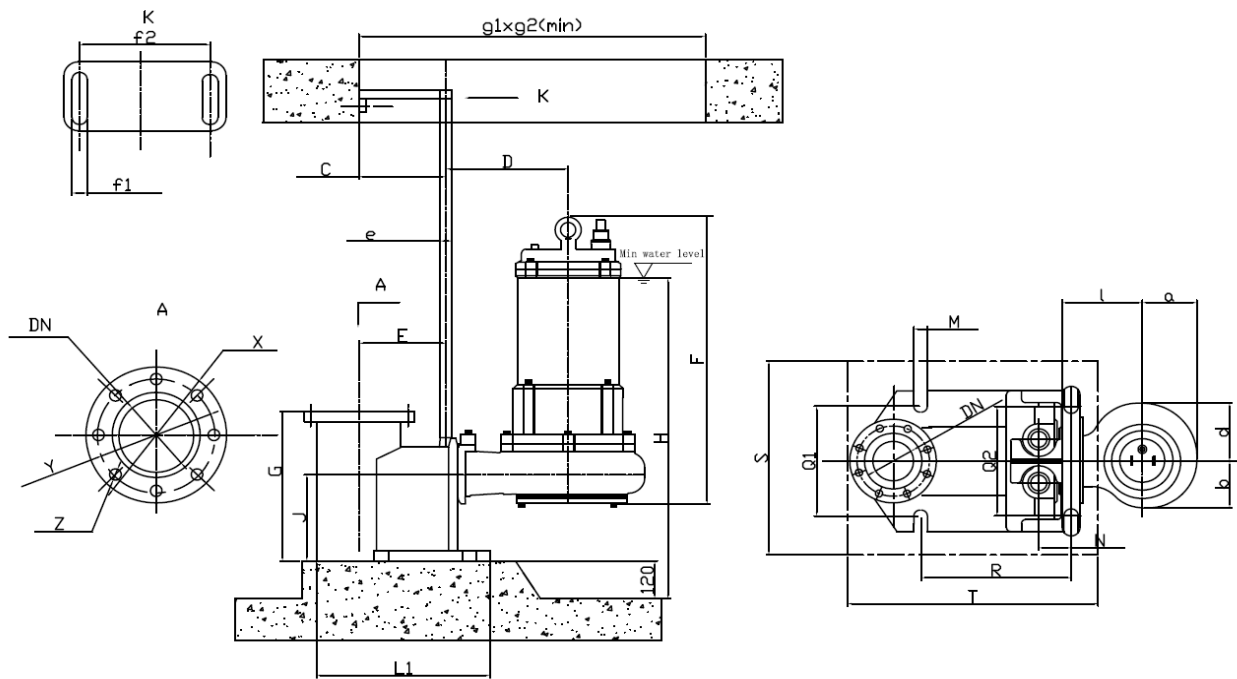
Item . No.	Model	Capacity (m3/h)	Head (m)	Power (Kw)	Discharge (mm)	Phase	Weight (kg )	Max solids Passed (mm)		
39	CP1850-4M-200	400	10	18.5-4P	200	3	450	100		
40	CP2200-4H-100	80	38	22-4P	100		500	50		
41	CP2200-4M-100	100	35		150			70		
42	CP2200-4H-150	150	22					200	100	
43	CP2200-4M-150	250	17						100	50
44	CP2200-4M-200	400	13							70

## INSTALLATION SYSTEM

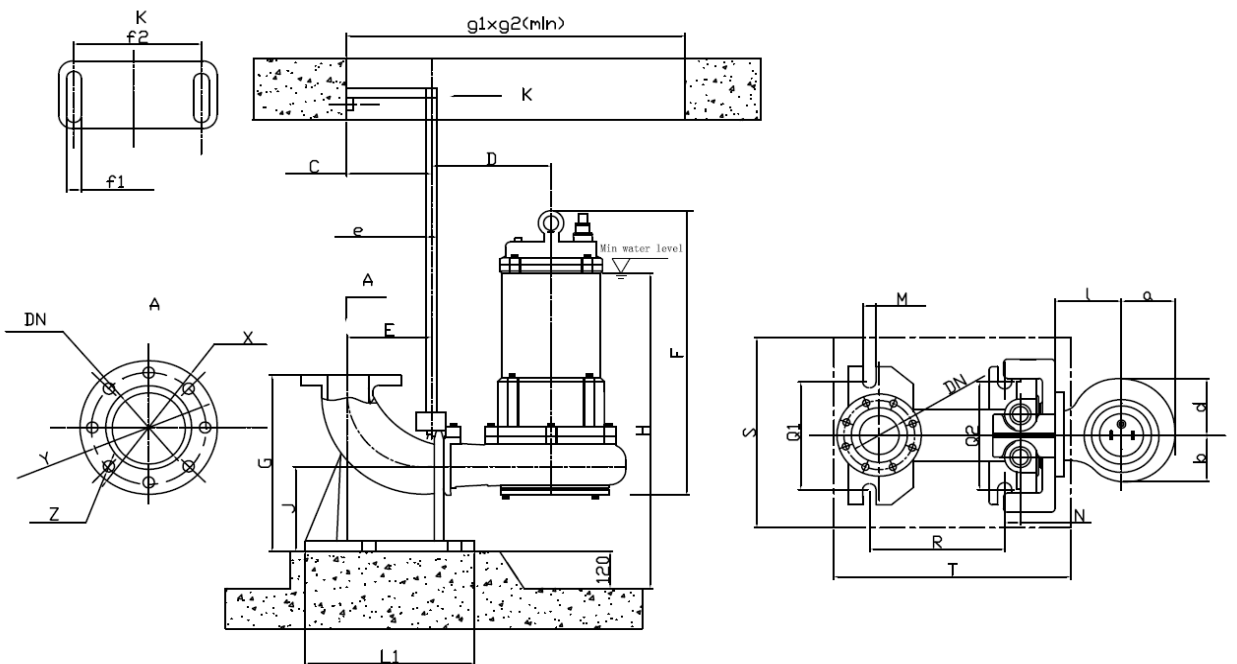
### Wet installation



50GAK for CP(S) 75-2H(A), CP(S) 100-2H(A), CP(S) 150-2H(A)



80GAK for CP(S) 100-2M(A), CP(S) 150-2M(A), CP220-2M/H(A), CP300-2M/H(A), CP400-2M/H(A)



80GAKII for CP550-2H, CP750-2H, CP1100-2H, CP1500-2H

100GAK for CP220-4M(A), CP300-4M(A), CP400-4M, CP550-2M/S, CP750-2M/S, CP1100-2M, CP1500-2M, CP1850-4H/M-100, CP2200-4H/M-100

150GAK for CP400-6M, CP550-4M, CP750-4M, CP1100-4M, CP1500-4M, CP1850-4H/M-150, CP2200-4H/M-150

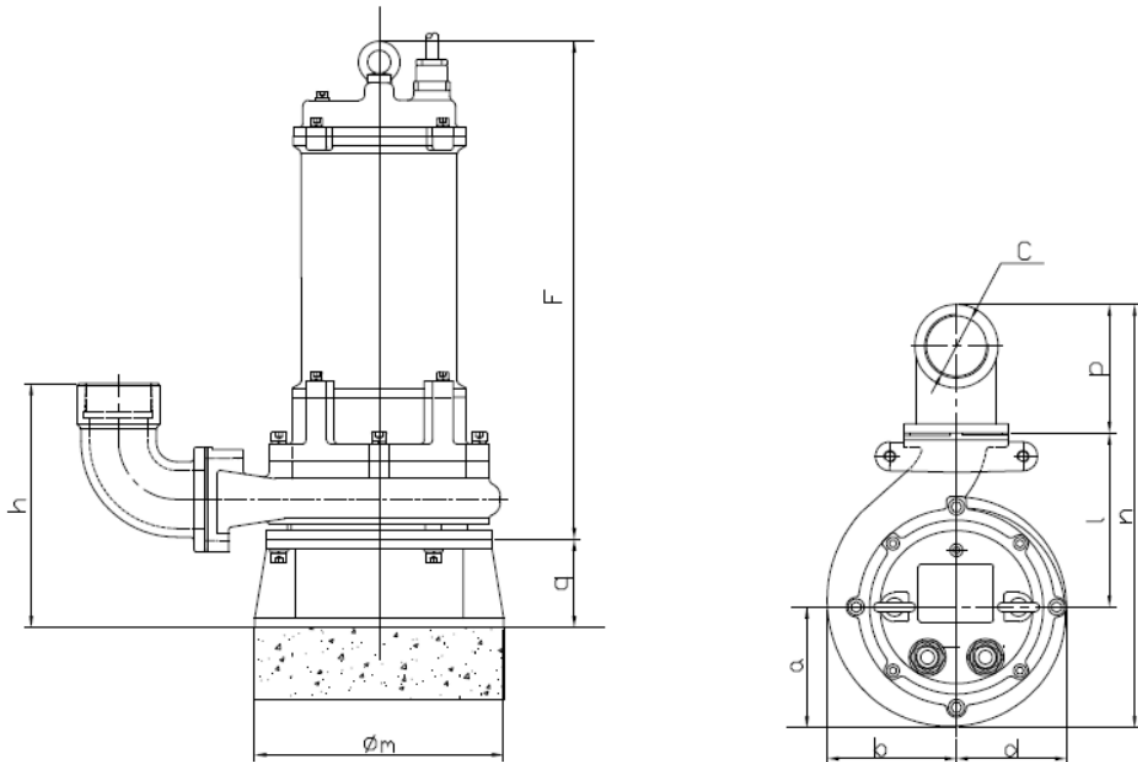
300GAK for CP1500-8M

200GAK for CP550-4S, CP750-4S, CP1100-4S, CP1500-4S, CP1850-4M-200, CP2200-4M-200



Type	DN	C	D	E	M	G	e	J	X
50GAK	Rc2"	83	170	75	12	170	Φ19	100	x
80GAK	Rc3"	87	180	155	18	240	Φ24.5	135	200
80GAK-II	Rc3"	78	270	185	18	245	Φ40	125	195
100GAK	Rc4"	80	323	230	18	385	Φ40	200	215
150GAK	Rc6"	105	333	335	18	435	Φ40	230	285
200GAK	Rc8"	105	515	355	22	565	Φ57	285	340
300GAK	Rc12"	150	470	470	26	700	Φ70	345	445
Type	N	Q1/Q2	g1xg2(min)	R	Y	Z	S	T	f1/f2
50GAK	45	105/105	500x500	100	-	-	450	550	12/48
80GAK	55	145/145	500x500	170	160	8-Φ18	450	550	12/48
80GAK-II	15	260/225	1100x800	205	160	8-Φ18	450	550	18/160
100GAK	25	285/225	1150x900	250	180	8-Φ18	450	550	16/100
150GAK	35	340/240	1200x900	315	240	8-Φ22	650	850	16/100
200GAK	25	420/420	1300x900	400	295	8-Φ22	680	900	16/100
300GAK	58	510/510	1600x1200	600	400	12-Φ22	880	1300	16/120

## Portable installation



No	MODEL	b	d	l	c	h	F	n	p	q	$\phi$ m	a
1	CP75-2H	110	97	135	Rc2"	197	427	355	110	50	195	110
2	CP75-2H(A)	110	97	135	Rc2"	197	469	355	110	50	195	110
	CPS75-2H											
	CPS75-2H(A)											
3	CP100-2H	116	96	145	Rc2"	224	521	365	110	80	250	110
	CP150-2H											
4	CP100-2H(A)	116	96	145	Rc2"	224	581	365	110	80	250	110
	CPS100-2H											
	CPS100-2H(A)											
	CP150-2H(A)											
	CPS150-2H											
	CPS150-2H(A)											
5	CP100-2M	116	96	145	Rc3"	250	533	390	135	80	250	110
	CP150-2M											
6	CP100-2M(A)	116	96	145	Rc3"	250	593	390	135	80	250	110
	CPS100-2M											
	CPS100-2M(A)											
	CP150-2M(A)											
	CPS150-2M											
	CPS150-2M(A)											
7	CP220-2H	125	106	165	Rc3"	260	585	413	135	80	250	113
	CP220-2M											
	CP300-2H											
	CP300-2M											
8	CP220-2H(A)	125	106	165	Rc3"	260	630	413	135	80	250	113
	CP220-2M(A)											
	CP300-2H(A)											
	CP300-2M(A)											
9	CP220-4M	161	147	210	Rc4"	391	670	590	225	105	260	155
	CP300-4M											
10	CP220-4M(A)	161	147	210	Rc4"	391	715	590	225	105	260	155
	CP300-4M(A)											
11	CP400-2H	125	106	165	Rc3"	260	615	413	135	80	250	113
	CP400-2M											
12	CP400-2H(A)G	125	106	165	Rc3"	260	660	413	135	80	250	113
	CP400-2M(A)G											
13	CP400-4M	179	161	243	Rc4"	480	832	643	225	185	400	175
14	CP400-4M(A)	179	161	243	Rc4"	480	877	643	225	185	400	175
15	CP400-6M	234	179	248	Rc6"	480	964	717	275	185	400	194

No	MODEL	b	d	l	c	h	F	n	p	q	$\phi$ m	a
16	CP550-2H	167	137	210	Rc3"	298	792	501	135	105	260	156
	CP750-2H											
17	CP550-2M	179	161	243	Rc4"	428	822	643	225	105	260	175
	CP550-2S											
	CP750-2M											
	CP750-2S											
18	CP550-4S	179	161	250	Rc6"	564	955	693	275	185	400	168
	CP750-4S											
	CP750-4S											
19	CP1100-2H	160	155	245	Rc3"	300	933	560	135	170	380	180
	CP1500-2H											
20	CP1100-2M	193	162	240	Rc4"	466	990	638	225	170	380	183
	CP1500-2M											
21	CP1100-4M	236	179	248	Rc6"	547	1055	717	275	185	400	194
	CP1500-4M											
22	CP1100-4S	236	179	320	Rc8"	/	1065	514	/	185	400	194
	CP1500-4S											
23	CP1500-8M	240	180	330	Rc12"	/	1000	/	/	110	/	200
24	CP1850-4H-100	240	220	265	Rc4"	507	1310	720	225	185	400	230
	CP2200-4H-100											
	CP1850-4M-100											
	CP2200-4M-100											
25	CP1850-4H-150	270	230	300	Rc6"	547	1310	825	275	185	400	250
	CP2200-4H-150											
	CP1850-4M-150											
	CP2200-4M-150											
26	CP1850-4M-200	330	300	400	Rc8"	/	1310	715	/	185	400	315
	CP2200-4M-200											